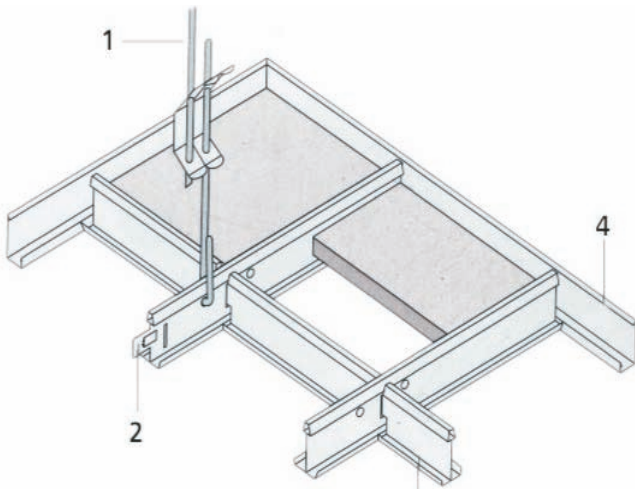
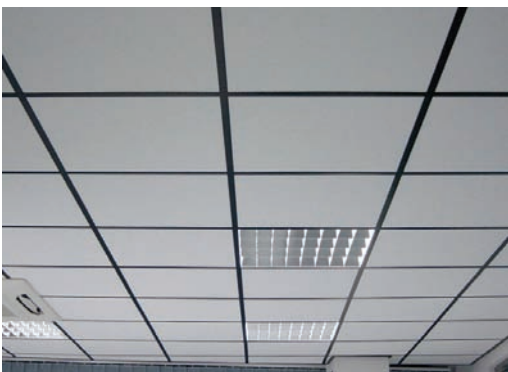


SUSPENDED CEILING WITH GRIDS SYSTEM

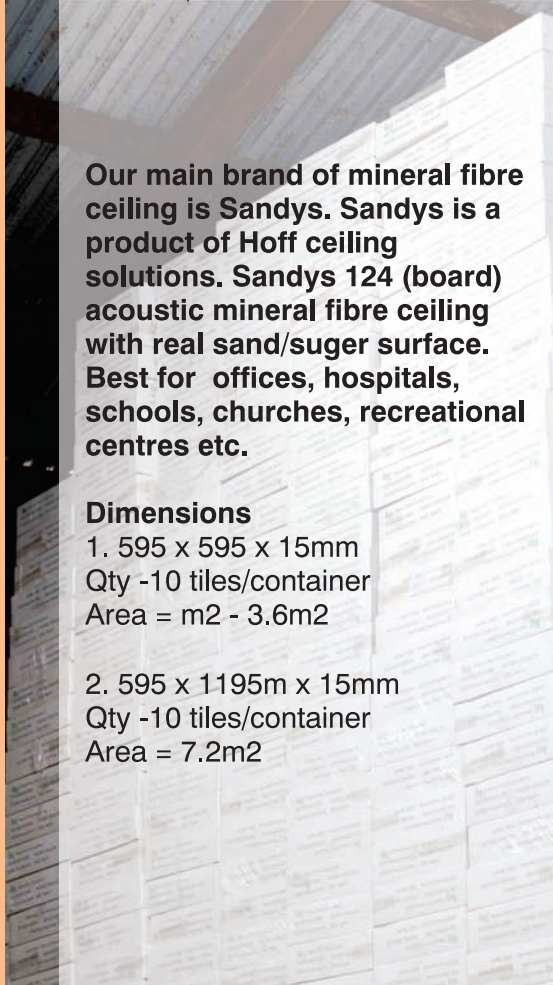


Hoff suspended ceiling system comprises of acoustic mineral fiber ceiling, vinly rock, metal ceiling etc. The ceiling system are exposed, semi-concealed and concealed. The exposed system are in different sizes - 600x600x12mm/15mm/20mm, 600x120mm etc.

Our grids system - Hoff construct is a standard grids with the strength to carry any ceiling type of its requirement.



SUSPENDED CEILING WITH GRIDS SYSTEM



Our main brand of mineral fibre ceiling is Sandys. Sandys is a product of Hoff ceiling solutions. Sandys 124 (board) acoustic mineral fibre ceiling with real sand/suger surface. Best for offices, hospitals, schools, churches, recreational centres etc.

Dimensions

1. 595 x 595 x 15mm
Qty -10 tiles/container
Area = m2 - 3.6m2

2. 595 x 1195m x 15mm
Qty -10 tiles/container
Area = 7.2m2

OTHER ACCESSORIES



Main channel connector



Profile clip



Threaded rod connector



Fischer Screw



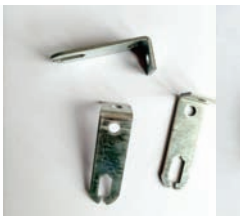
6x30 Fischer



6x40 Screw Fischer Anchor



Threaded Anchor



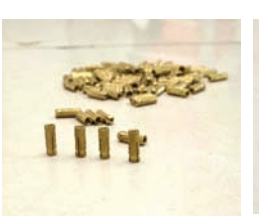
Main runner hanger



Main channel hanger



Drywall Screws



Brass Anchor (Golden Anchor)



Hoff Screw Fischer Anchor